



Ozone & Cold Cathode Lighting

DATA SHEET neon convertor Type MICRO 1825

- Available in the following versions: *Argon*
- Compliant with standard EN 61347-2-10 for the **L.V. Directive**
- Compliant with standard EN 61000-3-2, EN 55015 3rd ed., EN 61547 for the **EMC Directive**
- **Type A** convertor in accordance with EN 61347-2-10 (protection against secondary ground fault leakage is not required)
- 230v. input, with Italian or Schuko plug and a 1,5m cable.
- Output with 1m cable type **K** (as per EN 50143). Insulation in polyethylene and PVC. External diameter 4,5mm. Section 1mm²

Electrical data:

Input :	Voltage	Volt	230
	Current	Ampere	0,1 maximum
	Frequency	Hertz	50/60
	Power	Watt	20 maximum
	Power factor	λ	> 0.55
Output:	Voltage	Volt	1.800 rms maximum
	Nominal load current	mA	20
	Short circuit current	mA	25
	Frequency	Hertz	24.000

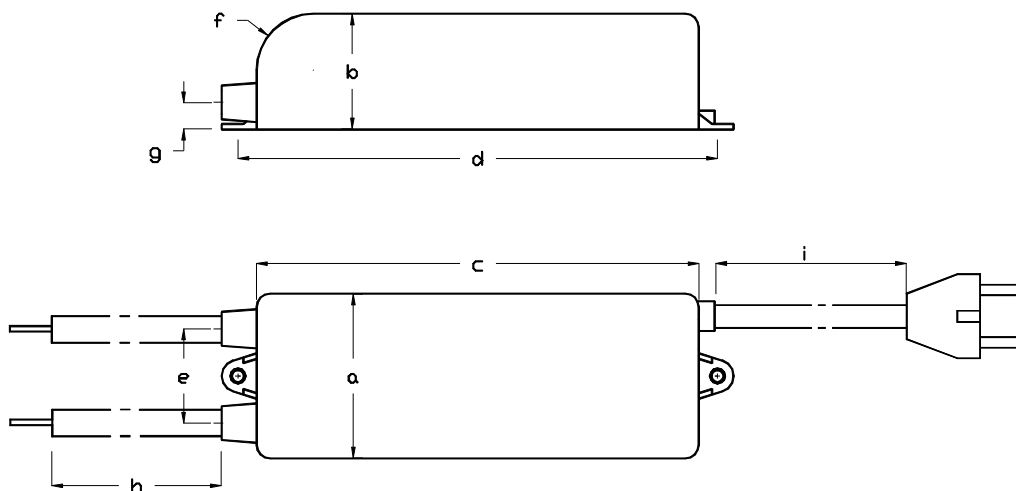
Performances:

- Compliant with *Flashers*
- Compliant with Ozonelux Dimmer / Trailing Edge *Dimmers*
- Type ARGON suitable for lamps loaded with argon + mercury gas.
- Maximum ambient temperature 40 c°

Indicative chart of maximum loading for electronic converters

For every electrode couple 50cm must be calculated.

	d.8mm	d.10mm	d.12mm	d.15mm	d.18mm
<u>Argon</u>	mt 1,9	mt. 2,5	mt. 3,0	mt. 3,5	mt. 4,0



	a	b	c	d	e	f	g	h	i	weight
MICRO	48	30	90	99	25	14	6	600	1500	220 g

All dimensions are in mm.

INSTALLATION GUIDELINE

- For high voltage connections use the cable connected to the transformer with no further additions.
- The converter must be, on all its' sides, **1 cm apart** from the metal surface.
- The converters must be at least **2 cm far** from one another.
- The distance between the lamps and parts with different potential (other lamps, current conductors, parts connected to earth) shall be suitable to the voltages on site which, at the frequencies produced by the converter, can discharge easily through air and unsuitable insulating material.
- The material of the supports of the lamps must be always insulating (EN 50107)
- To comply with the *electromagnetic compatibility* directive (EMC), from the output of the converter to the feeding supply, **avoid placing the feeding cable near the neon lamps and/or the high voltage cables.**

Ozonelux: Warranty conditions

Warranty by Ozonelux srl is limited to faults arising from the components and from the manufacturing process.

Faults caused by external sources such as surge condition, improper use of the device and similar not complying with what depicted within the instruction for use provided by Elettronica per Luce srl, are not covered by warranty.

Ozonelux srl provides a two year warranty: this two year guarantee period is from the manufacturing date mentioned on the converter.

The faulty unit shall be returned to Ozonelux carriage paid.

The liability of Ozonelux srl is limited to the sale price of the unit which is found faulty after the control by Ozonelux srl.

Design **Elettronica per luce**

TECNOLUX
GROUP